

▶ **Manual Measuring Stage EK 75 x 50 MR** with MR Measuring System

<b>Measuring range:</b>	76 x 52 mm (3" x 2")
<b>Accuracy:</b>	absolut accuracy in $\mu\text{m}$ : measuring length / 40 +2,5
<b>Resolution:</b>	< 0,05 $\mu\text{m}$
<b>Drive:</b>	X-axis: bowden cable Y-axis: rack and pinion
<b>Material:</b>	aluminium
<b>Surface:</b>	anodic coating, black laquered worktop CERASIST® - coated
<b>Weight:</b>	1,700 g

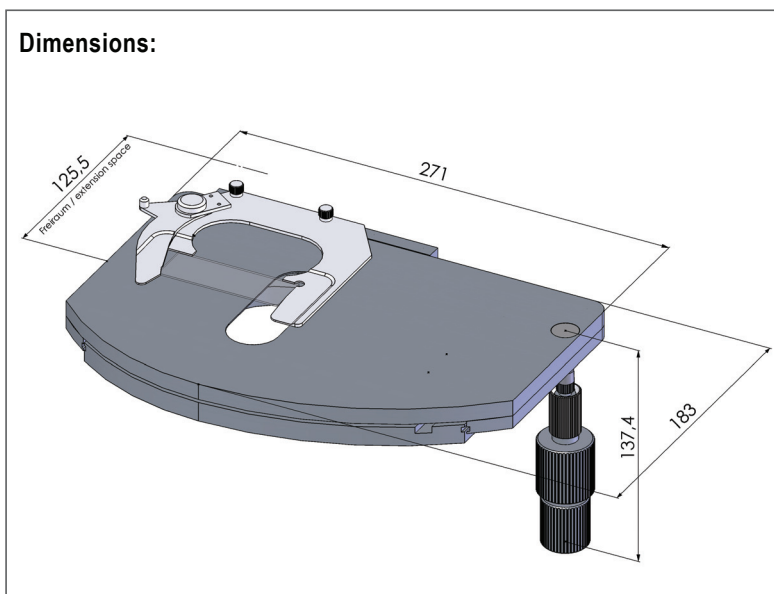
**Order Information**

EK 75 x 50 MR,  
Order No.: 00-22-321-0000

**Product Features**

- ▶ with integrated MR measuring system
- ▶ CERASIST® surface - free of wear
- ▶ Coaxial drive adjustable in height and friction for ergonomical handling.
- ▶ for reflected and transmitted light applications

**Dimensions:**



**Accessory**

Object holder (included in delivery)  
Order No.: 00-22-321-2000

Digital readout unit SCD<sup>plus</sup>  
(included in delivery)  
Order No.: 00-99-900-4830

For further accessories please refer to:  
[www.marzhauser.com](http://www.marzhauser.com)