

▶ **Manual Measuring Stage MT 50 x 50** for transmitted light

<b>Measuring range:</b>	50 x 50 mm (2" x 2")
<b>Resolution:</b>	depends on the micrometer screws
<b>Micrometer mount:</b>	Ø 12 mm (other Ø on request)
<b>Weight:</b>	1,250 g
<b>Load capacity:</b>	10,000 g

**Order Information**

MT 50 x 50  
Order No.: 00-30-102-0000

**Product Features**

- ▶ for transmitted light
- ▶ various micrometers with a resolution of up to 1 µm are available
- ▶ For mounting the stage, there are 4 holes (M5 thread) in the lower plate. Other hole patterns or special adaptors are available on request.

**Dimensions:**

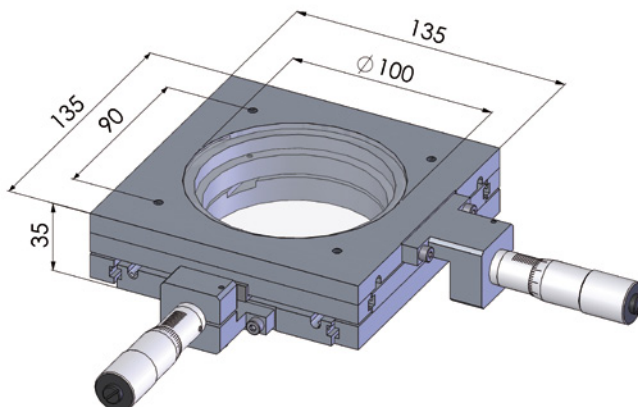


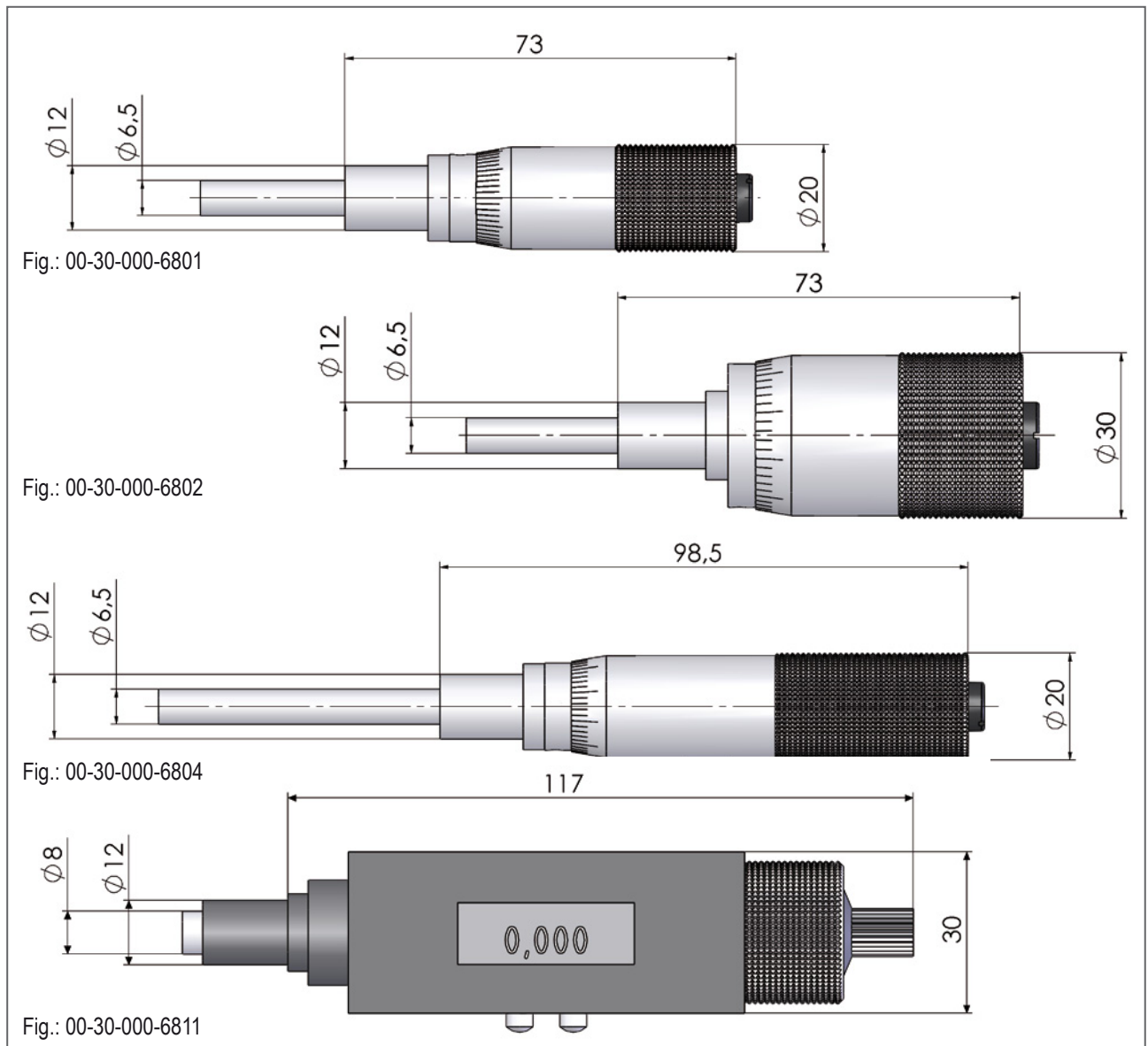
Figure with micrometer screws (not included in delivery).

**Accessory**

Glass plate (included in delivery)  
Order No.: 00-30-101-0810

Micrometer screws: see following page

For accessories please refer to:  
[www.marzhauser.com](http://www.marzhauser.com)



## ▶ Micrometer Screws for Manual Measuring Stages

Range:	Drum Diameter:	Resolution:	Order No.:
25 mm (analog)	10 mm	10 µm	00-30-000-6801
25 mm (analog)	30 mm	5 µm	00-30-000-6802
50 mm (analog)	20 mm	10 µm	00-30-000-6804
50 mm (analog)	30 mm	5 µm	00-30-000-6805
25 mm (digital)		1 µm	00-30-000-6811
50 mm (digital)		1 µm	00-99-900-1898*

\*mounting shaft: 18 mm

### Product Features

- ▶ Mounting shaft: Ø 12 mm / 18 mm
- ▶ Lead screw pitch: 0,5 mm
- ▶ Accuracy according to DIN 863-1
- ▶ Threads of ground hardened steel

For accessories please refer to:  
[www.marzhauser.com](http://www.marzhauser.com)