

▶ **Manual Measuring Stage MT 50 x 50** for reflected light

| | |
|--------------------------|------------------------------|
| Measuring range: | 50 x 50 mm (2" x 2") |
| Resolution: | depends on the micrometer |
| Micrometer mount: | ∅ 12 mm (other ∅ on request) |
| Weight: | 1,250 g |
| Load capacity: | 10,000 g |

Order Information

MT 50 x 50
Order No.: 00-30-222-0000

Product Features

- ▶ for reflected light
- ▶ various micrometers with a resolution of up to 1 µm are available
- ▶ For mounting the stage, there are 4 holes (M5 thread) in the lower plate. Other hole patterns or special adaptors are available on request.

Dimensions:

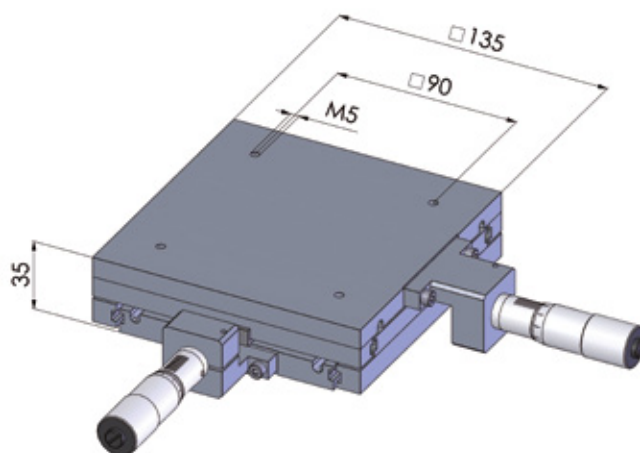
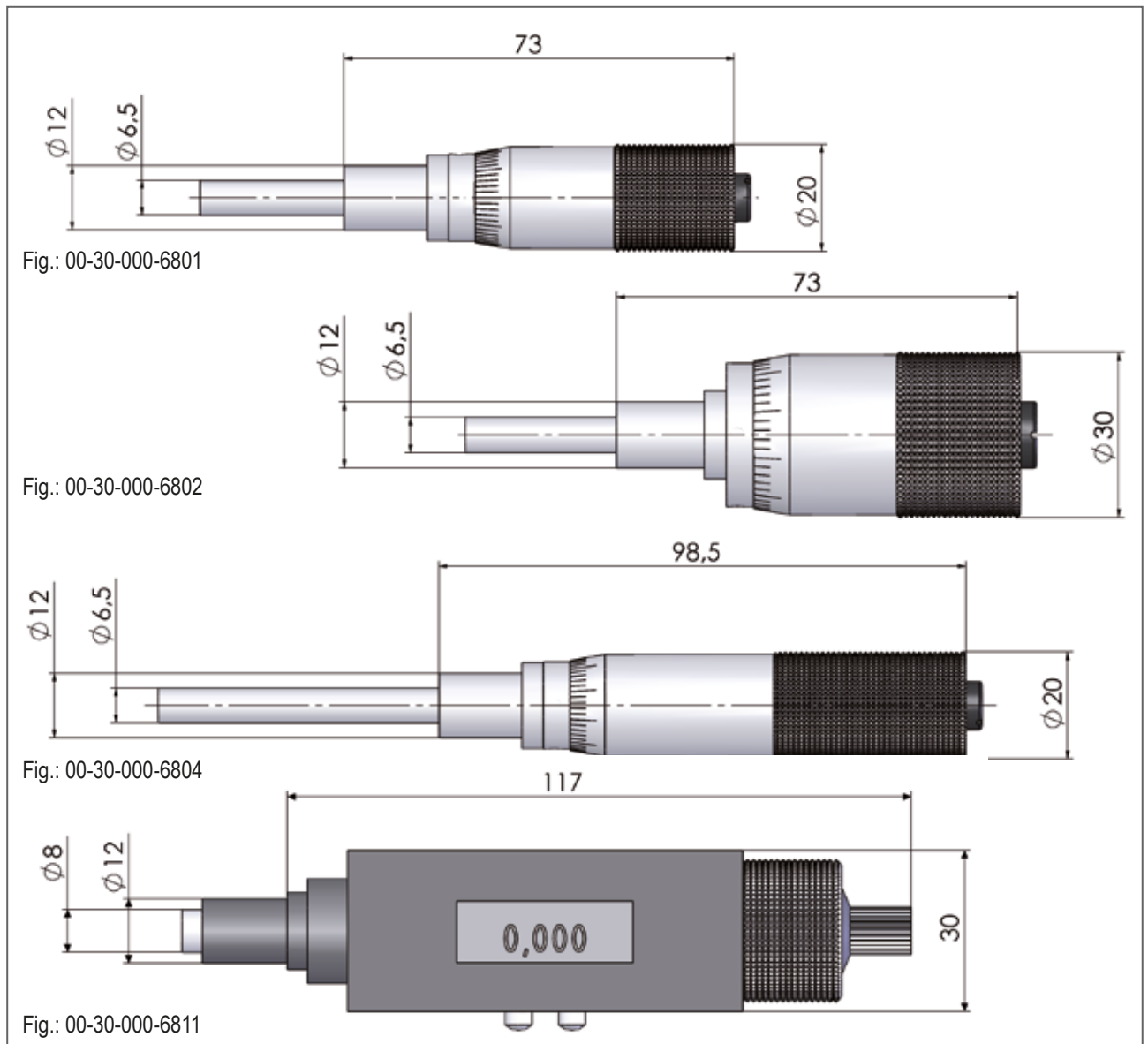


Figure with micrometer screws (not included in delivery).

Accessory

Micrometer screws: see following page

For accessories please refer to:
www.marzhauser.com



▶ Micrometer Screws for Manual Measuring Stages

| Range: | Drum Diameter: | Resolution: | Order No.: |
|-----------------|----------------|-------------|-----------------|
| 25 mm (analog) | 10 mm | 10 µm | 00-30-000-6801 |
| 25 mm (analog) | 30 mm | 5 µm | 00-30-000-6802 |
| 50 mm (analog) | 20 mm | 10 µm | 00-30-000-6804 |
| 50 mm (analog) | 30 mm | 5 µm | 00-30-000-6805 |
| 25 mm (digital) | | 1 µm | 00-30-000-6811 |
| 50 mm (digital) | | 1 µm | 00-99-900-1898* |

*mounting shaft: 18 mm

Product Features

- ▶ Mounting shaft: Ø 12 mm / 18 mm
- ▶ Lead screw pitch: 0,5 mm
- ▶ Accuracy according to DIN 863-1
- ▶ Threads of ground hardened steel

For accessories please refer to:
www.marzhauser.com